

Version	2.0	Date	9/26/23
Prepared By	JC		

**PRODUCT SPECIFICATION**

<b>Category</b>	Slim Canopy
<b>Item Number</b>	9545
<b>Stock Code</b>	FX10SCM60SW/8CCT3/BK
<b>Mounting</b>	Ceiling
<b>Housing Color</b>	Black



ELECTRICAL CHARACTERISTICS			
Rated Wattage (W)	28 / 45 / 57	Replacement Wattage (W)	100-250
Tested Wattage (W)	-		
Input Voltage (V)	120-277V	Surge Protect Level	4KV
Voltage Frequency (Hz)	50/60	Dimmable	0-10V
Input Current (A)	0.55	AUX (12V) Line	Yes
Power Factor	>0.9		
THD	<20%		

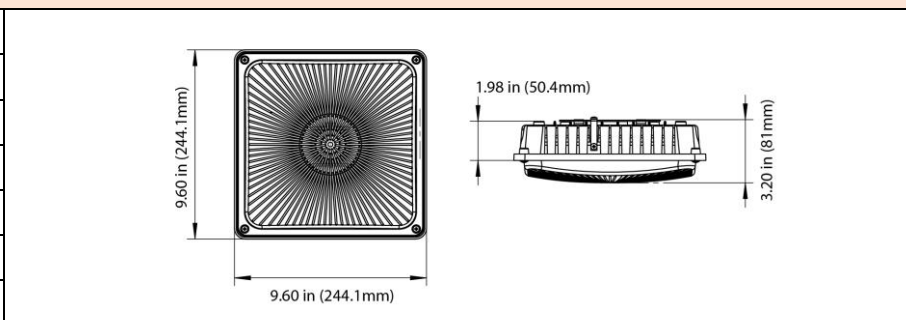
PHOTOMETRIC CHARACTERISTICS			
Lumen (lm)	3,584	CCT (K)	3CCT (30/40/50K)
	5,760		
Efficacy (lm/w)	125	Beam Angle (°)	160°
	140		
CRI	>80		

GENERAL CHARACTERISTICS	
Operating Temperature (°F)	-40°F ~ 122°F
Storage Temperature (°F)	-40°F ~ 176°F
IP Rating	IP65
Rated Life (Hrs)	50,000
Warranty (Yrs)	5

ACCESSORIES		
Item #	Stock Code	Description
	7336	BAEM4-60BC/MV-A 4W LED Emergency Driver
	P10438	SEN-HB001VCR-1 Microwave Sensor 0-10V Internal 12V
	P10125	LENS-SCM/FR9X9 Frosted Lens for 60SW
	P10126	LENS-SCM/DR9X9 Drop Lens for 60SW
	P10036	SEN-PHO-BT-MT/MV Button Photocell

**PRODUCT DIMENSIONS**

Width- in / (mm)	9.60" 244
Height- in / (mm)	3.20" 81
Depth- in / (mm)	9.60" 244
EPA (ft²)	-
Weight (lbs)	5.51
Mounting Height (ft)	10~20
Cable Length (ft)	-



CERTIFICATIONS			
UL/ETL	ETL/cETL	CEC	
NSF/ETL Sanitation		JA8	
Energy Star		FCC	✓
DLC	5.1 Premium	RoHs	✓

DOCUMENTS			
LM79	✓	IES File	✓
LM80	✓	Dimmer List	

**COMMENTS**

--